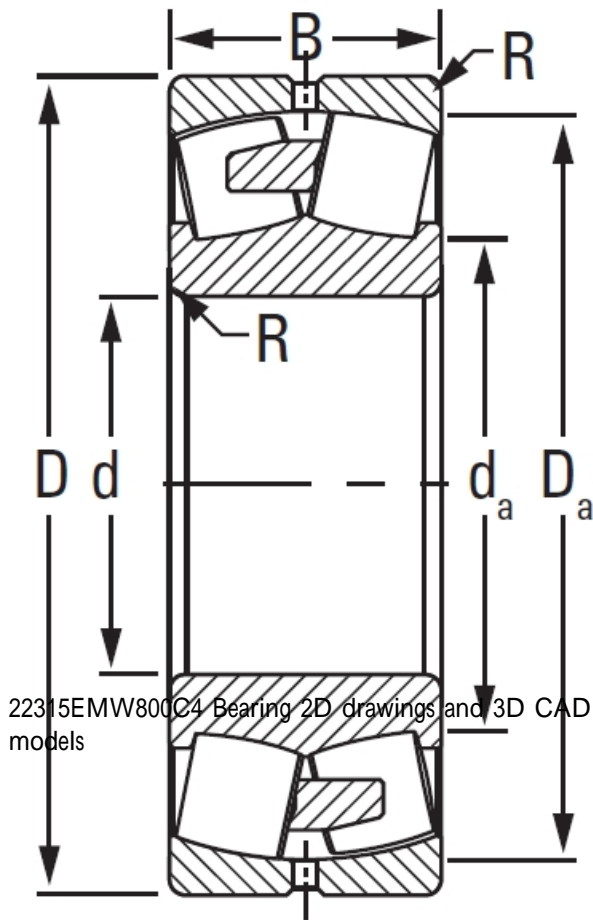




BEARING CORP. OF AMERICA

TIMKEN 22315EMW800C4 Bearing

Bearing No. 22315EMW800C4



Design Unit	METRIC
Bearing Weight	5.4 Kg
Cage Type	EM
UPC Code	087796026513
Cage Material	Brass
Superseded Part	22315YMW800C4
d	75 mm
D	159.993 mm
B - Inner Ring Width	55 mm
B - Outer Ring Width	55.000 mm
R - Inner Ring To Clear Radius ¹	2.0 mm
r - Outer Ring To Clear Radius ²	2.0 mm
da - Inner Ring Backing Diameter	97.000 mm
Da - Outer Ring Backing Diameter	144.000 mm
C0 - Static Radial Rating	478000 N
C1(2) - Dynamic Radial Rating (Two-Rows)	450000 N
e - ISO Factor ³	0.33
Y0 - ISO Factor ⁴	2.04
Y1 - ISO Factor ⁵	3.04
Y2 - ISO Factor ⁶	2
Reference Thermal Speed Rating (Grease)	3400
Reference Thermal Speed	4000



BEARING CORP. OF AMERICA

Rating (Oil) ⁷	
Cg - Geometry Factor ⁸	0.0614